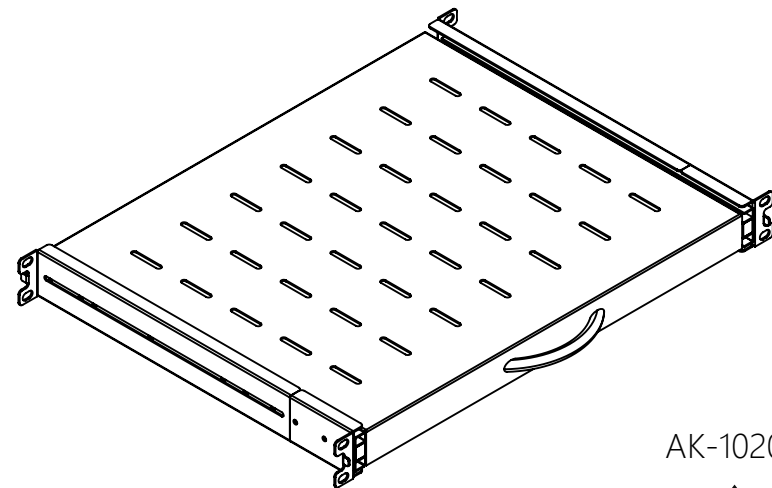
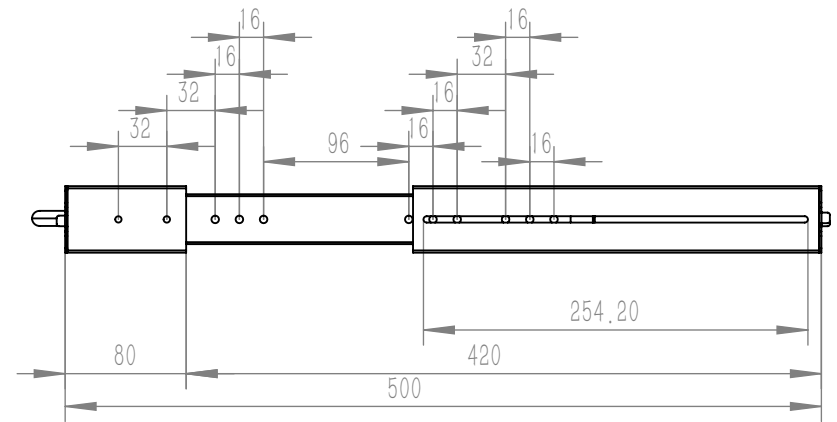
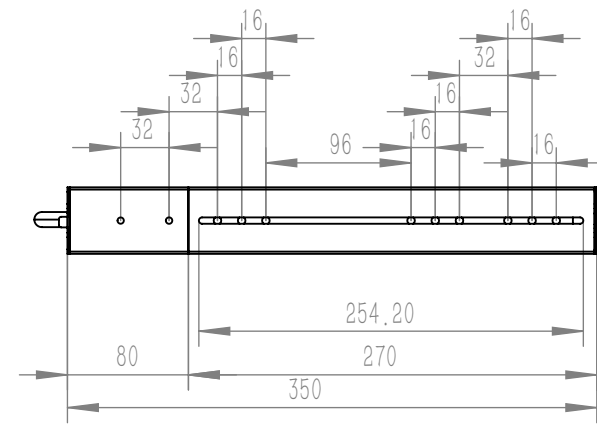
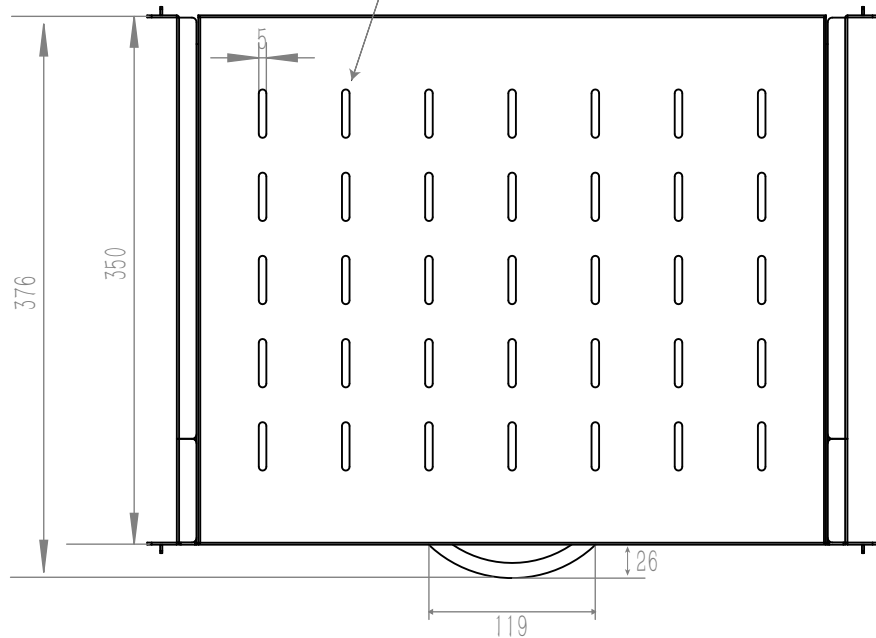


Cable management hole on the shelf and back, which can be used to fix some cables or devices with ties



AK-1020-B / AK-1020-S